

## WIRING SCHEMATIC INFORMATION

**DO YOU HAVE A 24 VOLT MODULE?** – The 10DX-24 is an upgraded module that fits all other 24 Volt Wiring listed a below. The first attachment is all purpose information. Depending on your replacement there are a handful of attachments with different type of boards. NOTE- THE Wiring schematics is the only relevant info in the following figures.

- Replace 10X-24, MICRO 50N-24, 10N-24 WITH 10DX-24 (Figure 1 +2 )
- You already have a potted version P0062, P3062, P...(Figure 5)
- Your module ends with a Q012 (Figure #3)

### **DO YOU HAVE 117/120 VOLT MODULE ?-**

- Replace 10X-117, MICRO 50N-117, MARK 10DN-117, MARK 10-117 (Figure 3 + 4 )
- You already have a potted version. (Figure 4 -9)
- Your module ends with a Q012 (Figure 3)
- 7808 Replacement (11 + 12)

10DX-24 Schematic page (24 Volt)

FIGURE 1 (CURRENT 10DX-24)

FIGURE 2 (LARGER VERSION OF FIGURE #1)

FIGURE 3 (OBSOLETE MODEL -24VOLT AND 117 VOLT - Q012)

FIGURE 4 (OBSOLETE MODEL POTTED 10X-117)

FIGURE 5 (OBSOLETE 10X-24 POTTED)

FIGURE 6 (OBSOLETE MICRO 50X-24 Direct Sense)

FIGURE 7 (35-725 117/120V Wire Color Matrix)

FIGURE 8 (35-725 117/120V Local Sense)

FIGURE 9 (35-725 117/120V Remote Sense)

FIGURE 10 (New 120 Volt Direct Sense Potted)- 7808

FIGURE 11 (New 120 Volt Direct Sense Potted #2)-7808

# High Intensity Parts Instruction Sheet

## MARK 10DX-24 (Micro 50X) Replacement

### Contents

- MARK 10DX-24 (Micro 50X) Circuit Board.

### Related Parts List

- High Voltage Spark Wire. P/N: HW-18 (sold separately).
- 3-Prong Spark Electrode. P/N: 32-508 (sold separately).
- Wire Harness for 10DX-24 Circuit Board. P/N: DRWH-24 (sold separately).

**NOTE:** To ensure safe operation, circuit boards must be replaced with factory supplied parts.

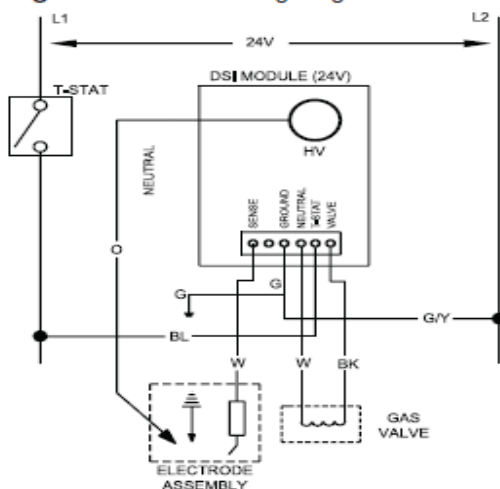
**NOTE:** If replacing the MARK 10-24 or MARK 10X-24 circuit board, the DRWH-24 wire harness is required.

### Installation Instructions

- 1 Disconnect electrical supply voltage to the heater.
- 2 Remove the junction box cover on heater.
- 3 Disconnect wiring from the old circuit board and remove.
- 4 Install new MARK 10DX-24 (Micro 50X) circuit board.
- 5 Plug DRWH-24 wiring harness onto the new circuit board.
- 6 Reconnect electrical power supply. Cycle heater to verify proper operation.  
Check wiring if heater malfunctions.

**FIGURE 1 (CURRENT 10DX-24)**

**Figure 1 • Internal Wiring Diagram**



### LIGHTING INSTRUCTIONS:

- 1 Rotate heater's valve knob to "ON" position.
- 2 Close electrical circuit (usually thermostat).
- 3 If the heater fails to light, turn "OFF" gas, close electrical circuit and wait 5 minutes before repeating the steps above.

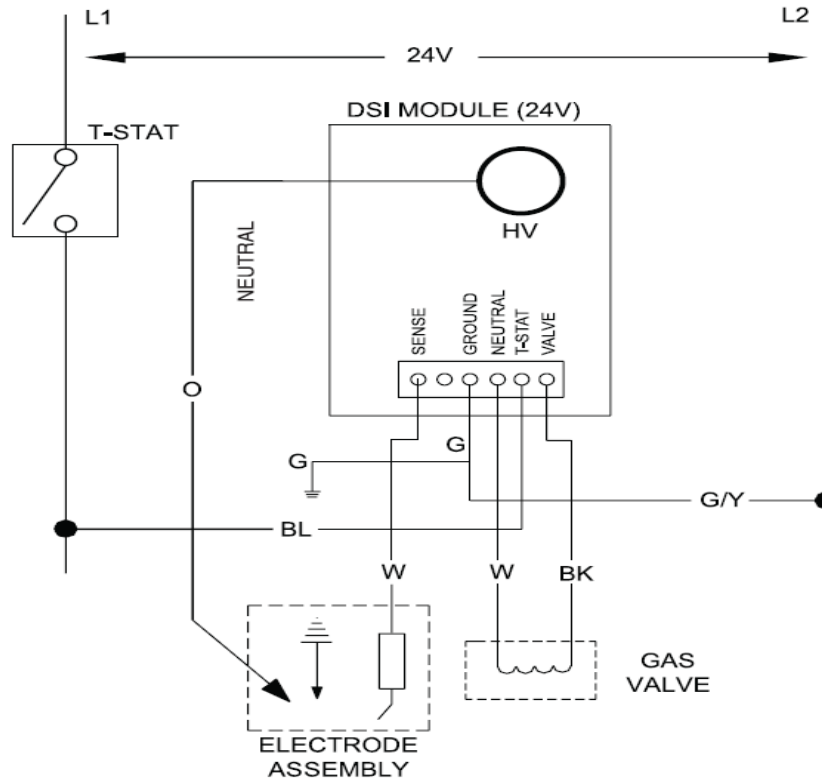
### SHUTDOWN INSTRUCTIONS:

- 1 Open electrical circuit.
- 2 Rotate heater's valve knob to "OFF" position.

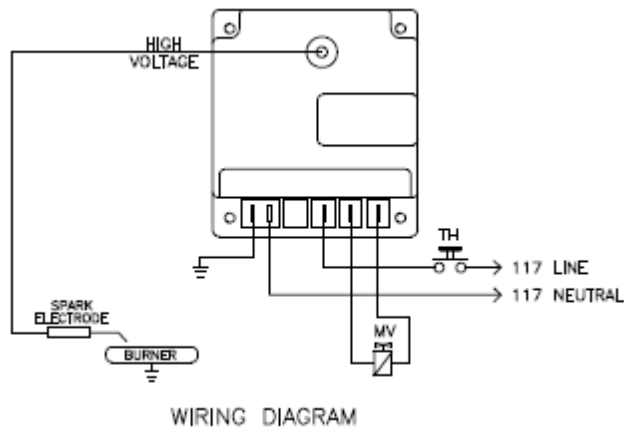
**NOTE:** If replacing any of the original wire supplied with the appliance, it must be with wiring material having a temperature rating of at least 105°C.

**FIGURE 2 (LARGER VERSION OF FIGURE #1)**

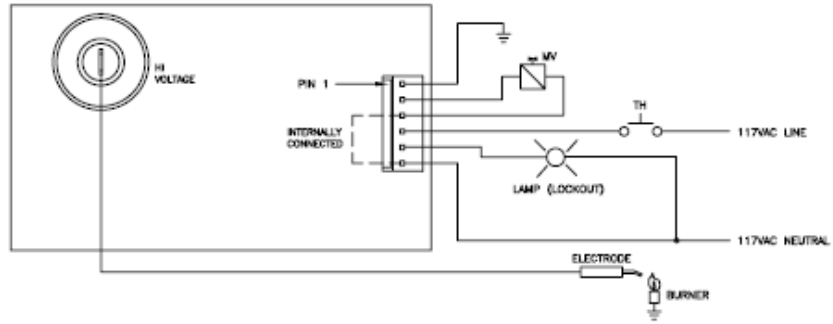
**Figure 1 • Internal Wiring Diagram**



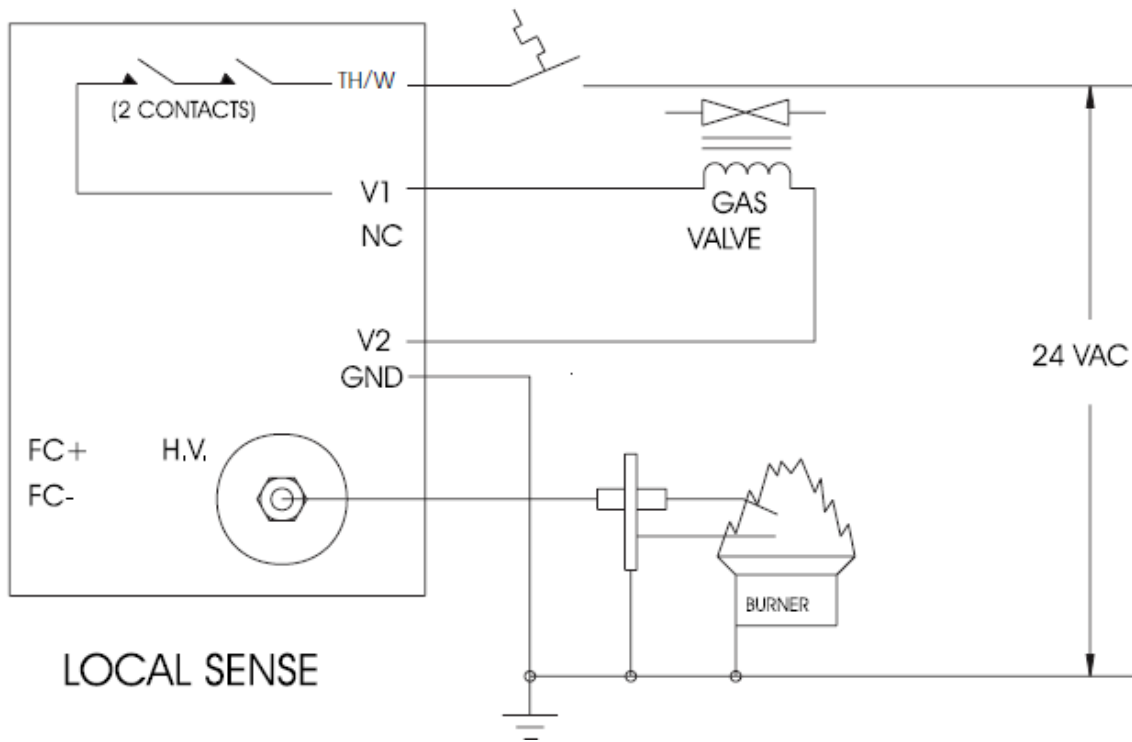
**FIGURE 3 (OBSOLETE MODEL -24VOLT AND 117 VOLT - Q012)**



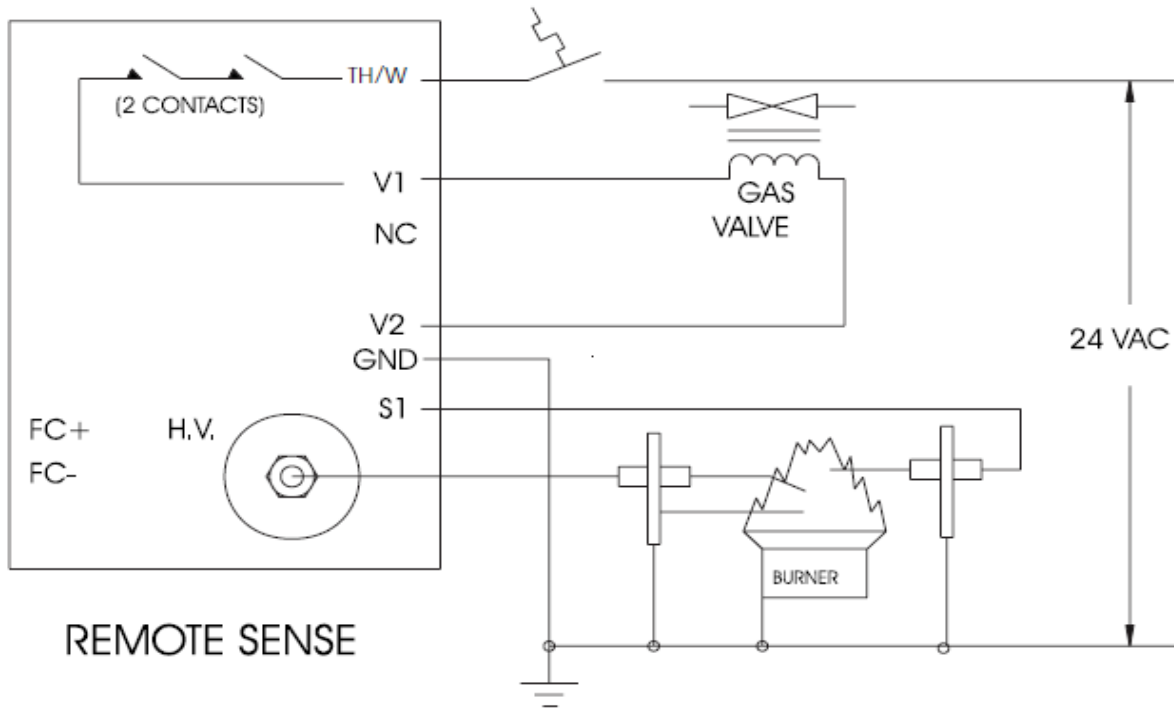
**FIGURE 4 (OBSOLETE MODEL POTTED 10X-117)**



**FIGURE 5 (OBSOLETE 10X-24 POTTED)**



**FIGURE 6 (OBSOLETE MICRO 50X-24)**

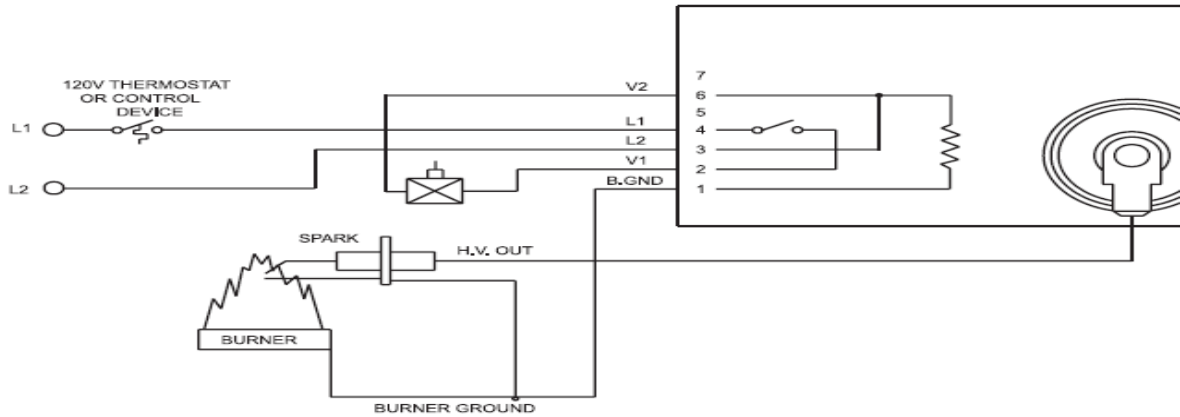


**FIGURE 7 10X-117/35-725 Wiring Color Matrix**

| TERMINAL                      | DESCRIPTION         | MPIN LOCATION   | WIRE COLOR |
|-------------------------------|---------------------|---|------------|
| <b>Single Spark and Sense</b> |                     | <b>6-Pin Connector</b>                                |            |
| B. Gnd                        | Burner Ground       | 1   | Purple     |
| V1                            | Valve Power         | 2   | Brown      |
| L2                            | Line Neutral        | 3   | White      |
| L1                            | 120 Vac Input (Hot) | 4   | Black      |
| Not Used                      |                     | 5   |            |
| V2                            | Valve Neutral       | 6   | Yellow     |
| <b>Remote Flame Sense</b>     |                     | <b>7-Pin Connector<br/>(same as above plus pin 7)</b> |            |
| S1                            | Remote Flame Sensor | 7   | Gray       |

**FIGURE 8 10X-117/35-725 Single Spark Local**

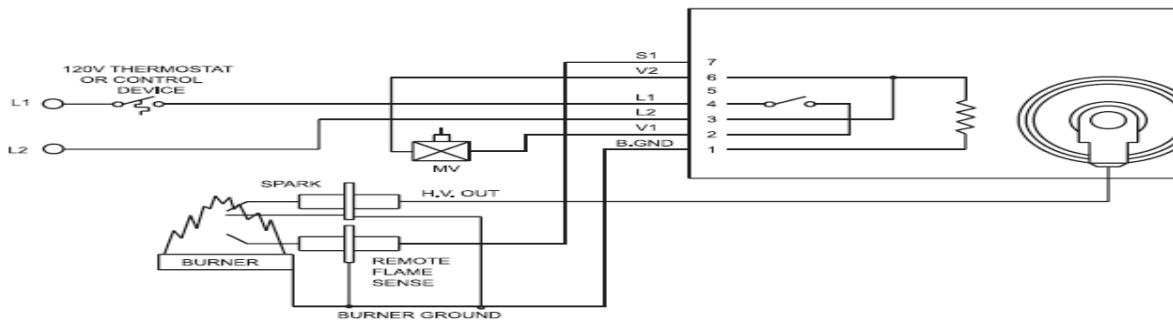
### SINGLE SPARK AND SENSE



SIX PIN HEADER AMP PART NUMBER 644615-6 ON CIRCUIT BOARD. SEE PAGE 6 FOR MATCHING CONNECTORS AND WIRING HARNESSSES.

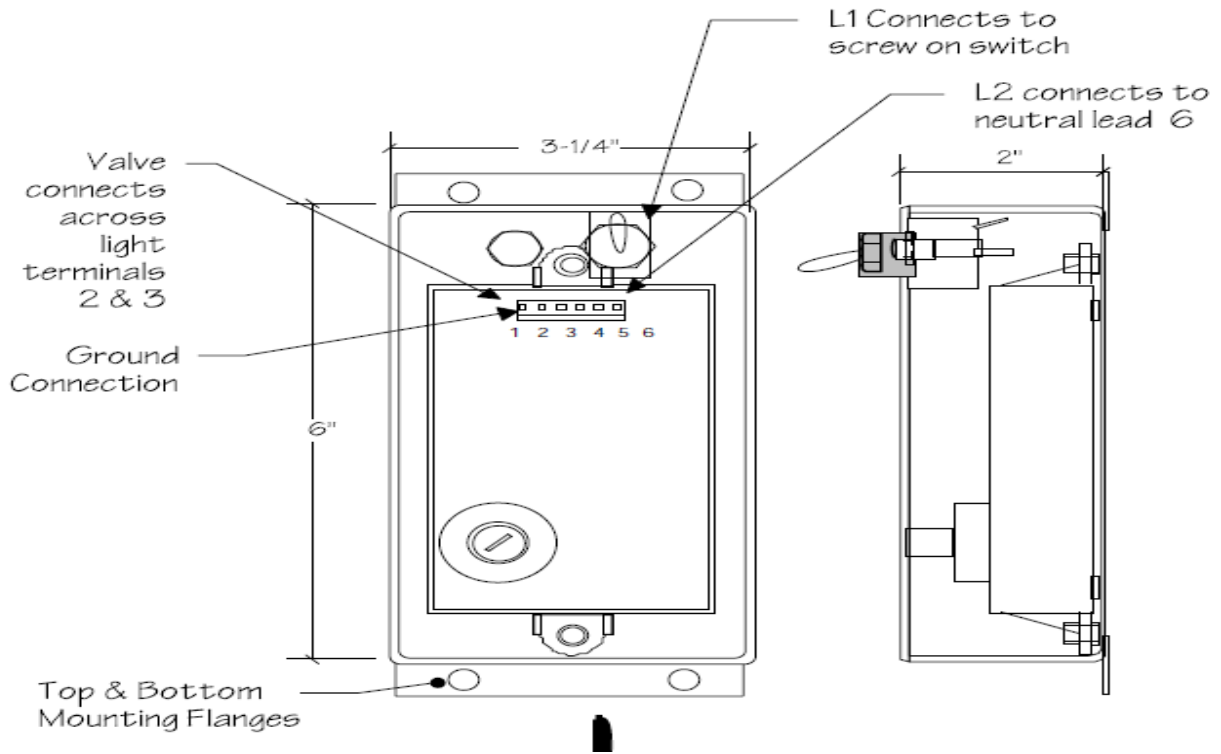
**FIGURE 9 10X-117/35-725 Remote Sense**

### REMOTE SENSE



SIX PIN HEADER AMP PART NUMBER 64415-7 ON CIRCUIT BOARD. SEE PAGE 6 FOR MATCHING CONNECTORS AND WIRING HARNESSSES.

**Figure 10 . 117 Volt NEW Potted Module/Replacement**



**Figure 11 – 117 Volt NEW Potted Module/Replacement**

